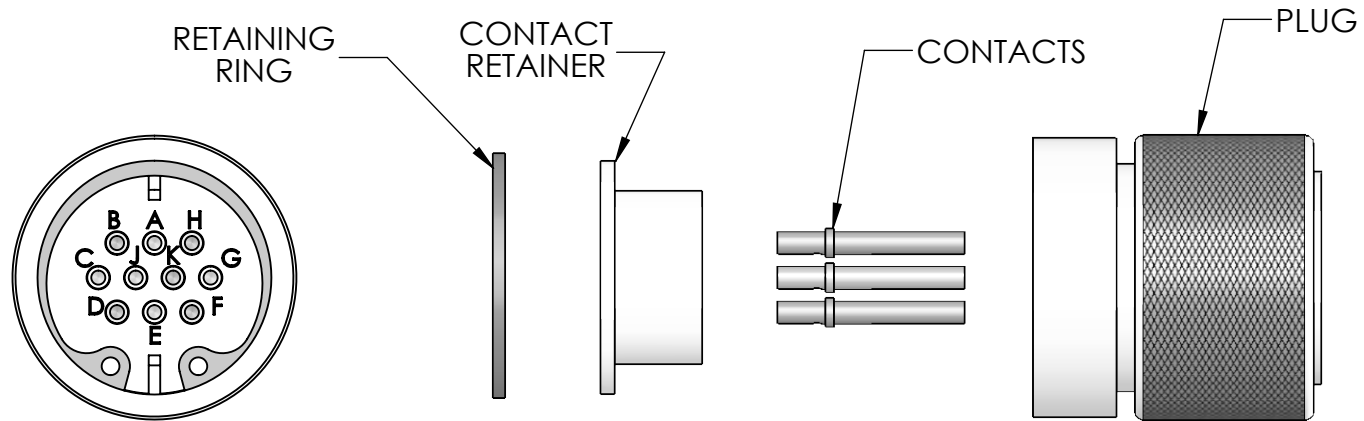


ASSEMBLY INSTRUCTIONS FOR PLUG FA41399

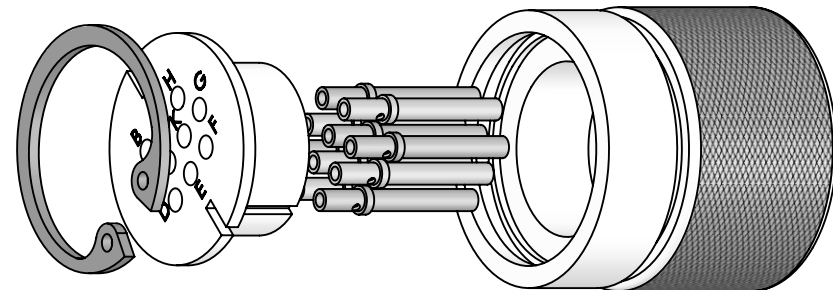
ASSEMBLY INSTRUCTIONS:

- 1- INSERT WIRES THROUGH CONTACT RETAINER AND CRIMP TO CONTACTS. USE CRIMP TOOL SST P/N FP44440 AND LOCATOR SST P/N FP44441.
- 2- AFTER CRIMPING SEAT CONTACTS INTO PLUG. SEE TABLE BELOW FOR CONTACT LOCATIONS.
- 3- INSERT CONTACT RETAINER INTO PLUG
- 4- INSERT RETAINING RING INTO GROOVE IN BACK OF PLUG.



(+) CHROMEL CONTACT P/N CP13353-02 LOCATIONS	(-) ALUMEL CONTACT P/N CP13353-03 LOCATIONS
A,C,E,G,J	B,D,F,H,K

CONTACT IDENTIFICATION	
MATERIAL:	COLOR BANDS:
CHROMEL	BROWN-YELLOW-BROWN
ALUMEL	BROWN-YELLOW-BLACK



PROPRIETARY AND CONFIDENTIAL THE INFORMATION CONTAINED IN THIS DRAWING IS THE SOLE PROPERTY OF SOLID SEALING TECHNOLOGY. ANY REPRODUCTION IN PART OR AS A WHOLE WITHOUT THE WRITTEN PERMISSION OF SOLID SEALING TECHNOLOGY IS PROHIBITED.				THIRD ANGLE PROJECTION 		TITLE <h3 style="margin: 0;">INSTRUCTION SHEET</h3> <h3 style="margin: 0;">T/C TYPE K PLUG ASSEMBLY</h3>				
REV.	APP'D	DATE	SCALE 3:2	DIMENSIONS IN INCHES [mm]	DRAWN	CW	10/5/2020	NUMBER	REV	
B	JF	02/04/2025	MSME0005-11EX	ENG APPR.	JF	06/10/2021	NS41399	B	SHEET 1 OF 1	